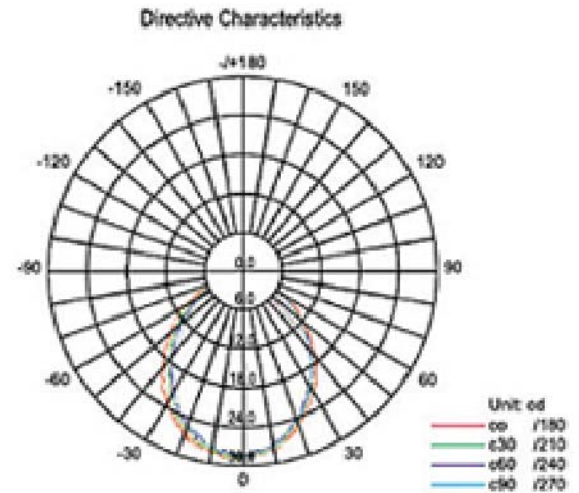
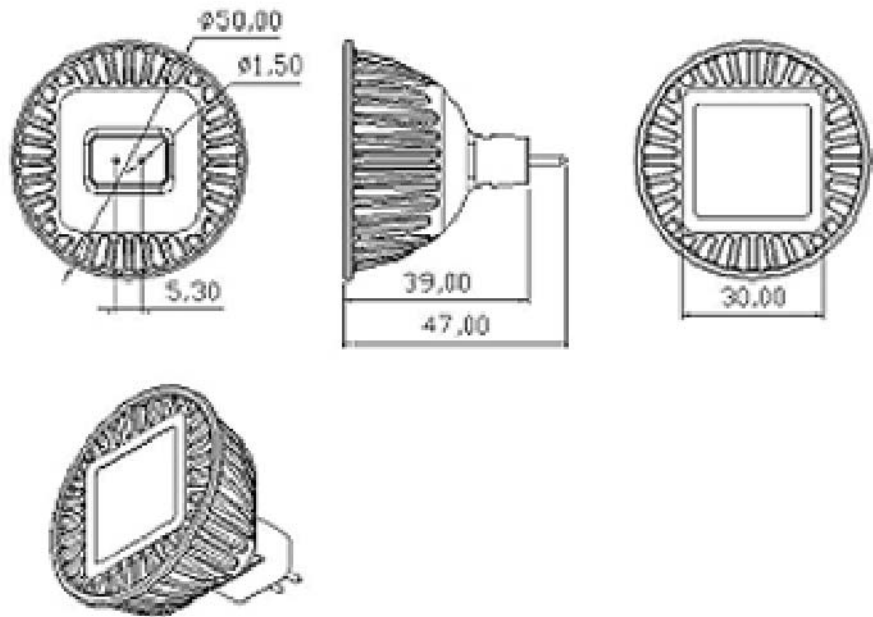
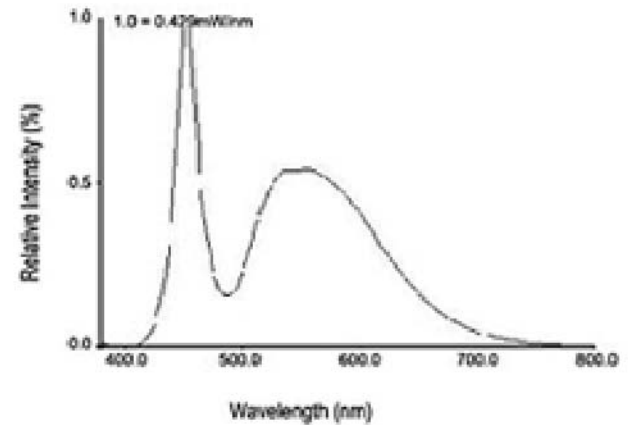


BY	CHK	REVISION RECORD MODIFICATIONS	DATE	REV.
ALLEN		RELEASE TO PRODUCTION	2008,7,28	1.0



AVERAGE BEAM ANGLE(50%): 90 DEG

Relative Intensity vs. Wavelength



APPRO	CHECK	DRAWN	PART NO.	
			ITEM NO.	
			DRAW NO.	
			UNIT	SCALE
			TOLER	NO

DESCRIPTION

